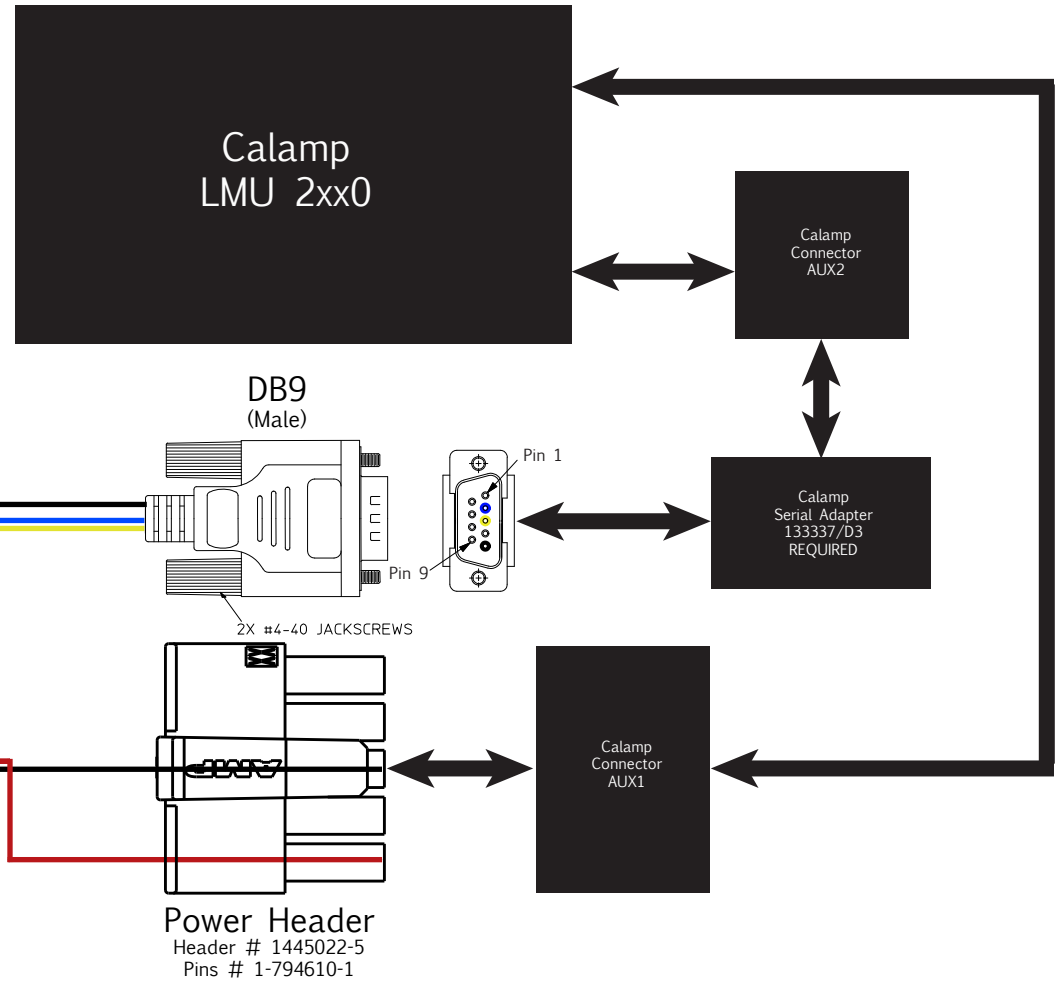
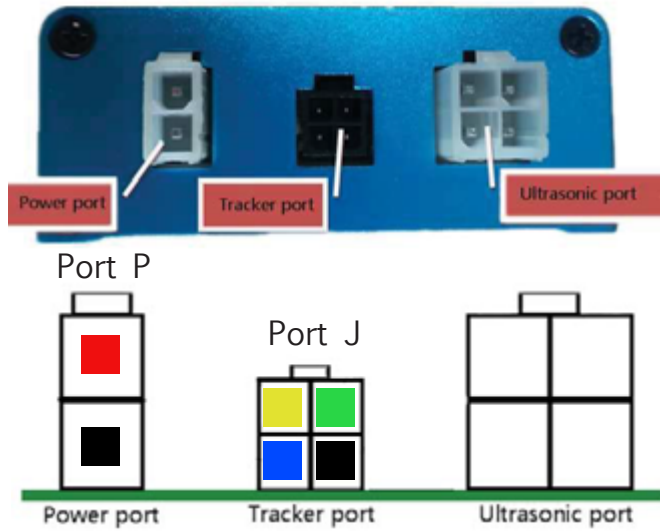


# Ultrasonic Fuel Sensor Diagram

Calamp 2xx0 and UL202



UL202	Name	Color	DB9 Male	Power
P1	+12V	Red		Pin 1
P2	GND	Black		Pin 3
J1	TX	Yellow	Pin 3	
J2	RX	Blue	Pin 2	
J3	Analog	Green	NC	
J4	GND	Black	Pin 5	